




e-MatriX



 **faber**

e-MatriX serie | 2020/2021 



Around a fire

Stories just keep coming

Together around the fire, familiar, comfortable. A good glass of wine, some nice music, the warmth around you, the light of the dancing flames. The stories come automatically. About what happened to you during the day, developments at work, news from friends and family. The stories from your past and your big dreams for the future. Things you don't usually share with others but that come so easy now, enveloped by warmth and trust. That's what a fire does to a person! Traditionally, fires were lit to keep the outside world at a distance. It's why a fire creates an atmosphere of intimacy and contact, where you listen to each other's stories.

A fire connects

Around a fire you share your holiday experiences with your friends, you tell your children a bedtime story, and you share your most intimate feelings with your loved one.

A look is all you need, and together you enjoy peaceful silence, gazing at the flames, because you don't need words to understand each other. The fire of love, where better than in front of an open fire? That is where you experience your most beautiful moments and when you take time for each other. That is where you share your stories, full of passion and full of fire!

There is **so much to tell...**



Faber means **175 years of quality**

The connective and soothing effect of an open fire is our passion. We are always looking for the best and most beautiful solutions, because we want our connoisseurs to enjoy an astonishing flame effect. We strive for the same warmth and urge for quality in our contact with those around us. Our fires have been developed and produced in the Netherlands for devotees all over the world for more than 175 years. Today, Faber is part of the Irish family business Glen Dimplex, market leader in top-quality ambient electric fires. A strong and trusted combination, with a pure origin!

In the vanguard of the fire of the future

Faber's 'fire makers' are driven to produce the most beautiful ambient fires. Rooted in log fires, leading in gas fires and in the vanguard of fires with new fuels, such as biopropane, propane and water vapour. With pure craftsmanship, knowledge and advanced technology, Faber is responsible for discoveries and patents that have become standard in the world of fires today. The e-MatriX Linear and e-BoX, our latest models that use electricity, water and the power of LED lights, are just as innovative. The same goes for the striking new MatriX RD/ST gas fires with the Hybrid Pro Light Module that literally throws a new light on the future of gas fires. In short, 'making' ambient fires is part of Faber's DNA, and our pride and passion!

Your Faber fire built especially for you

If you choose a Faber, we build, adjust the settings and check the fire specifically for you. You can be certain that you have a characteristic Faber fire effect and a fire that operates perfectly and safely.



Faber

Fire Masters

Our Fire Masters strive for the ultimate ambient fire. Professional people who turn their ideas into reality by using their imagination, technology and their bare hands. With an eye for the most subtle detail. They make sure that more than 175 years of knowledge and experience are translated into sustainable solutions for the next generation.

There is **so much to tell...**



e-MatriX - **astonishing fire... from water**

Modern houses generally need very little additional heat. A log fire is often not an option or unwanted. Building without gas is a current topic. We increasingly live in urban areas, where flue gases cannot always be discharged. The unique properties of the Faber e-MatriX make it possible to enrich your home with a splendid fire!

The fire experience is down to a combination of rising cold-water vapour and special LED lights. You can even hear the crackling sound of a fire. Always different, fascinating and convincing... Just what you expect from a real log fire, but without the traditional restrictions and limitations!

Inspirational and 'future-proof'

The e-MatriX does not produce heat, which means it has zero impact on heating and climate-control systems. You don't need a gas connection, a flue-gas pipe or heat-resistant insulation. Emissions are nil too. Building regulations for using a gas or log fire do not apply, making it much easier to inset than gas or log fires and it creates room for ground-breaking design. These fires can be incorporated pretty much anywhere at all! What about the energy consumption? Minimal! Without using the heat function, the energy consumption of the e-MatriX is comparable to ordinary room lighting. The tap-water consumption remains limited to just a few litres per 24 hours when in use.



Faber e-MatriX series

for a fire that suits you

The e-MatriX series offers the best of Faber. As the name 'MatriX' suggests, there is maximum freedom of choice to create the fire that fits your personal taste and interior décor. At the same time, you can count on the best quality that Faber has to offer. For fans of open fires who want to add maximum value to their interior décor and living environment.

Create your own fire

The e-MatriX series is 'modular' in composition, so you have step-by-step options for dimensions, the numbers of sides to experience the fire, the decoration, the finish and more.

The Faber specialist is there for you throughout the entire process!

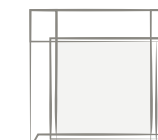
Did you find your favourite Faber fire? It will be built, set and tested by Faber, specifically for you, before we deliver it to the Faber specialist who will install it in your home.



A Faber e-MatriX fire you create yourself

Whatever your preference may be, you always have our enchanting, patented fire effect; fire that fuels the stories people tell each other. Our modular program consists of several models, formats and decoration options.

Model options



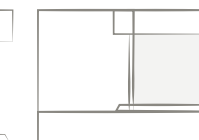
Front model



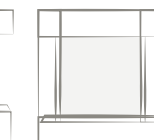
Two-sided model



Three-sided model



Room divider



See-through model

Decoration option



Log set



Large log set



Carrara pebbles



Acrylic ice

Back walls



Back wall smooth steel



Back wall black mirror

Anti-reflective glass



With AR glass you reduce the unwanted light reflections from the glass of your fire. It ensures a better and more intense view of the flames.



A Faber e-MatriX fire suits any interior

Interior-design trends

Faber tracks the current interior design trends and developments in detail. This is reflected in our photography and the current trend information in this brochure. It shows how a Faber fire fits in your modern, classic or bohemian interior.

The Faber specialist will be pleased to assist!

Are you considering enriching your home with a Faber fire? Would you like an inspirational design that suits all your wishes and requirements? Faber has a network of selected fire specialists who are here to help. Committed and experienced enthusiasts who are familiar with the possibilities of Faber fires, and who have various Faber models on display. They are keen to advise and like to consider how you can translate your personal wishes into an appealing and attractive interior design. They also deal with professional installation. Check the Faber website for a Faber specialist near you.

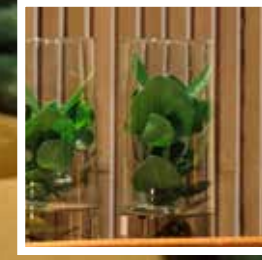
Interior Design Style

Vital Vibe

This contemporary, urban style brings outdoor life into the home, with natural wood, graphical minimalism and an abundance of greenery. An environmentally aware and relaxed way of life where you feel at home straight away.

e-Matrix | 800/500 |

Also available on gas, propane and biopropane



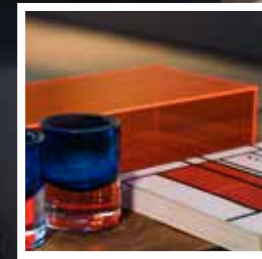
Interior Design Style

Sassy Style

This style refers to the 1950s with its classy, rich emotion in graphical shapes, velvety furnishings and bright colours. The decoration is vintage or bohemian and creates a free-spirited sensation.

e-MatriX | 800/500 II

Also available on gas, propane and biopropane

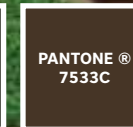
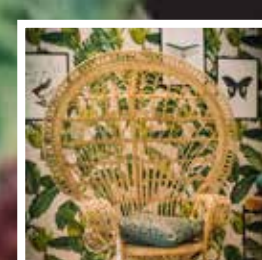
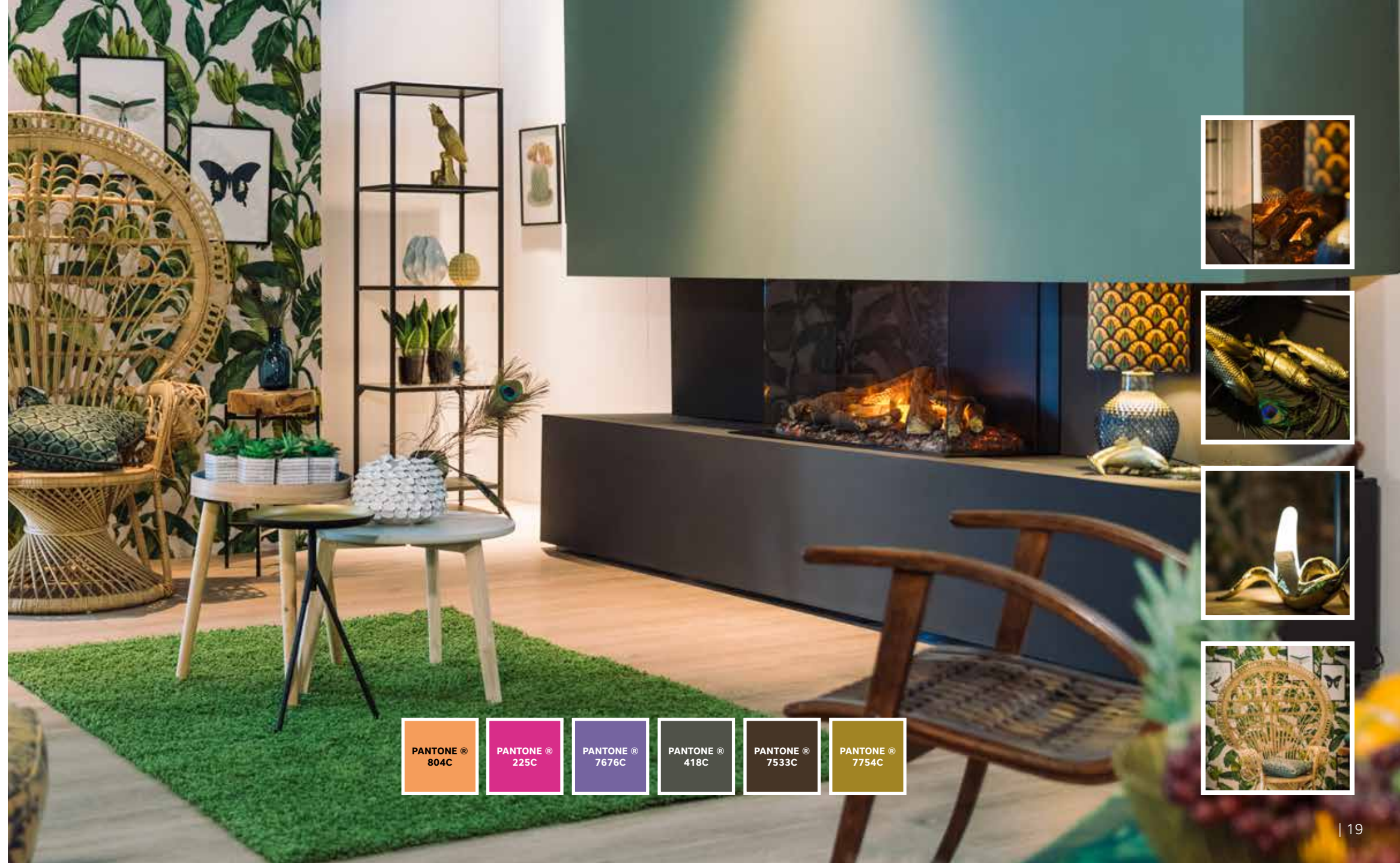


Interior Design Style
**Colonial
Chic**

This orientally influenced theme intrigues the eye with different woods, water plant prints and tropical furniture. An attractive, mystical oasis for the discerning mind.

e-MatriX | 800/500 III

Also available on gas, propane and biopropane



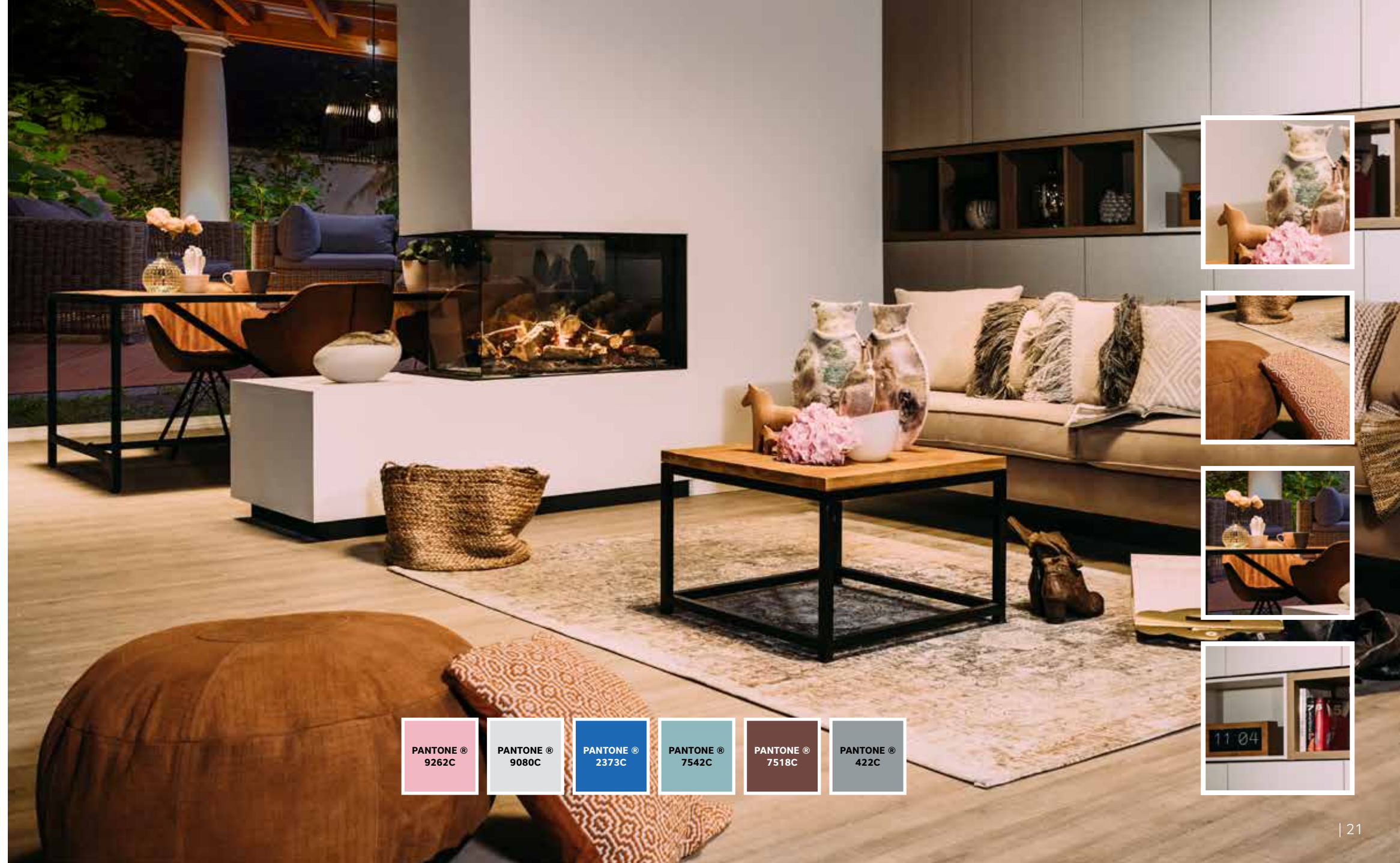
Interior Design Style

Delicate Desire

This contemporary style is characteristically modern with pure lines and geometric shapes. Lots of light, with pastel colours, warm and light fabrics, and a feel for nature.

e-MatriX | 800/500 RD

This fireplace is available with a small and large wood set.
Also available on gas, propane and biopropane



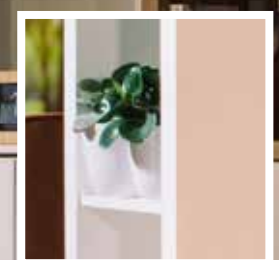
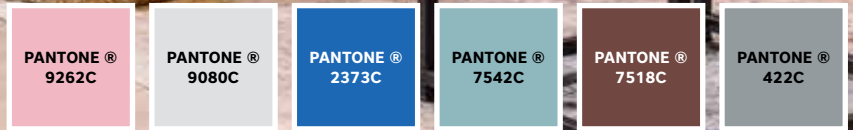
Interior Design Style

Delicate Desire

This contemporary style is characteristically modern with pure lines and geometric shapes. Lots of light, with pastel colours, warm and light fabrics, and a feel for nature.

e-MatriX | 800/500 ST

This fireplace is available with a small and large wood set.
Also available on gas, propane and biopropane



Safe harbour

"As a doctor I travel the world. When I return home after a longer period of time, I'm struck by the stark differences. Their standard of living is in shrill contrast to our material world. At home in front of the fire I can reconnect with myself."

e-MatriX | 800/650 |

Also available on gas, propane and biopropane



e-MatriX | 800/650 II

Also available on gas, propane and biopropane



Working from home

“We were forced to make a major change to our lives. So we jumped in at the deep end and started an online shop. We turned our passion into our job. Our living room now doubles up as our office.

Sometimes we switch off our computers on purpose. A little quality time in front of the fire.”

e-MatriX | 800/650 III

Also available on gas, propane and biopropane



Interior Design Style

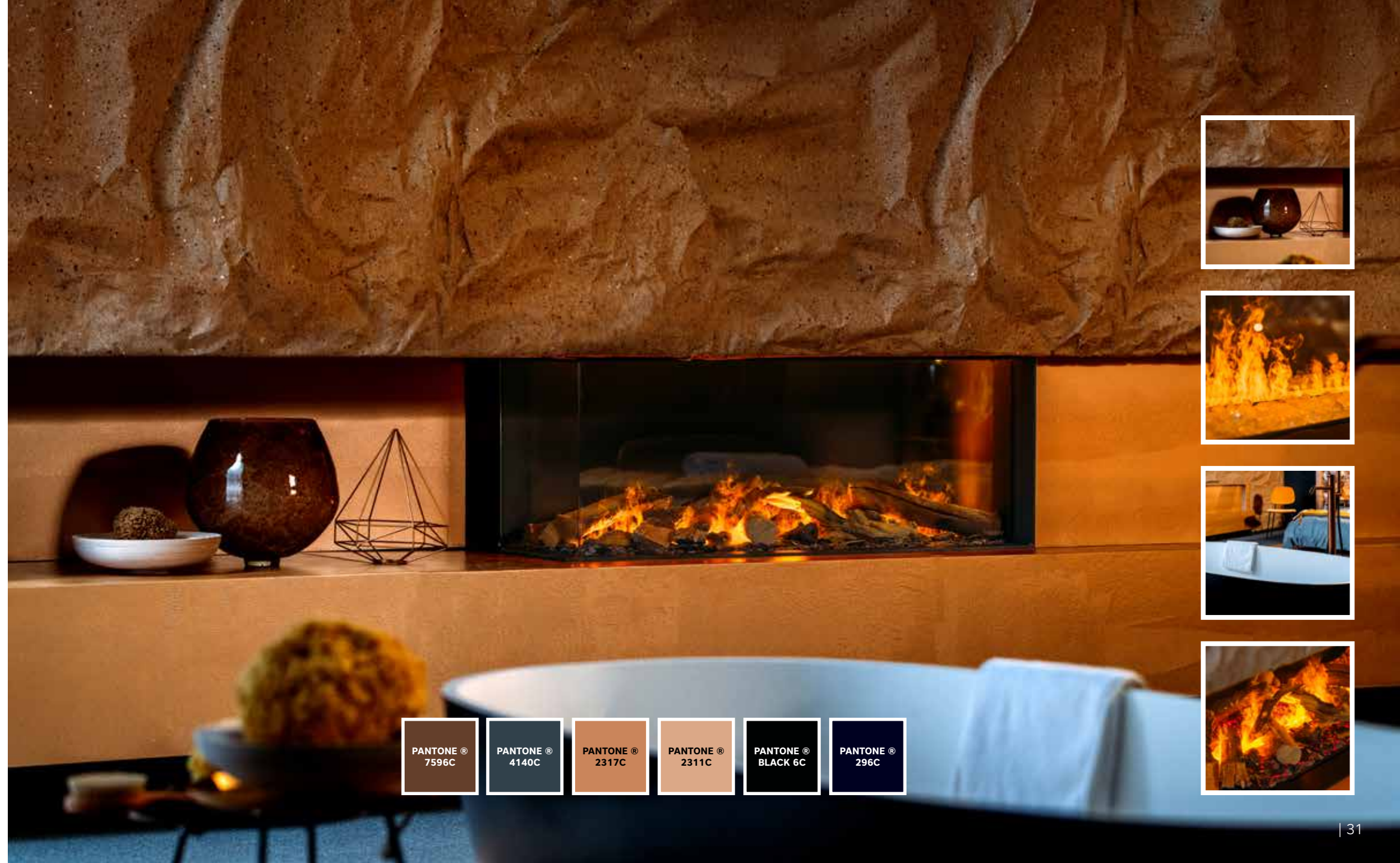
Brutal Boheme

This minimalist style gives a sense of tranquillity and wellness. It's an elegant and aesthetic combination. The e-Matrix linear allows you to create various moods to suit your interior.

LINEAR FIRE

e-Matrix | 1050/400

Available as a front, two-sided or three-sided model
Also available on propane or biopropane



PANTONE®
7596C

PANTONE®
4140C

PANTONE®
2317C

PANTONE®
2311C

PANTONE®
BLACK 6C

PANTONE®
296C

Interior Design Style

Retro Rêve

This romantic and charming style evokes that nostalgic feeling. Subtle and powdery mood colours can be chosen for the e-Matrix linear to blend it into this interior style

LINEAR FIRE

e-Matrix | 1300/400

Available as a front, two-sided or three-sided model
Also available on propane or biopropane



PANTONE®
466C

PANTONE®
5285C

PANTONE®
4077C

PANTONE®
203C

PANTONE®
7576C

PANTONE®
4046C



e-MatriX Burner

A complete flame effect



The astonishing flame effect is down to a combination of rising cold-water vapour and special LED lights. The result is a playful, three-dimensional fire effect that moves up from the softly glowing ash bed between the logs to the top of the fire. The ash bed itself radiates a warm red glow because of a glow module that works on low-energy LEDs. You can even hear the sound of a crackling fire. An ultra-thin flexible water hose and a regular socket are enough for the connection.

Wonderful heat in front of the fire

Are you sitting near the fire and you'd like to feel the radiating warmth? There is an compact, silent heating unit for the e-MatriX that is incorporated invisibly in the fireplace. When you want, a warm air flow comes your way through the glass. A sensation that makes the experience even more complete. This additional heating unit has a capacity of maximum 2 kW and a thermostat function. The operation is integrated into the remote control.

e-MatriX fires

	Page	DIMENSIONS		BURNER	DECORATION			
		Exterior dimensions WxHxD in mm	Fire display WxHxD in mm	e-MatriX burner	Ceramic Logs	Illuminated Logs (plastic)	Log set with large logs	Glowing embers lighting
e-MatriX 800/500 I	14	891 x 790 x 517	800 x 500	●	Choice	Choice		●
e-MatriX 800/500 II	16	934 x 790 x 517	822 x 500 x 351	●	Choice	Choice		●
e-MatriX 800/500 III	18	995 x 790 x 516	843 x 500 x 351	●	Choice	Choice		●
e-MatriX 800/500 RD	20	1000 x 804 x 549	822 x 500 x 396	●	Choice	Choice		●
e-MatriX 800/500 ST	22	946 x 805 x 548	800 x 500	●	Choice	Choice		●
e-MatriX 800/500 RD LL	20	1000 x 804 x 549	822 x 500 x 396	●			●	●
e-MatriX 800/500 ST LL	22	946 x 805 x 548	800 x 500	●			●	●
e-MatriX 800/650 I	24	891 x 940 x 517	800 x 650	●	Choice	Choice		●
e-MatriX 800/650 II	26	934 x 940 x 517	822 x 650 x 351	●	Choice	Choice		●
e-MatriX 800/650 III	28	995 x 940 x 552	843 x 650 x 351	●	Choice	Choice		●

HEATING	INTERIOR	SOUND	CONTROLLER	
Heat element	Back wall smooth steel	Sound module	Remote control	Bluetooth remote control
●	●	●	●	●
●	●	●	●	●
●	●	●	●	●
●	●	●	●	●
●	●	●	●	●
●	●	●	●	●
●	●	●	●	●
●	●	●	●	●
●	●	●	●	●

Maximum 2 kW heat output produces comfortable additional heating for a room of maximum 30m²

LINEAR FIRE

	Page	DIMENSIONS		BURNER	DECORATION		
		Exterior dimensions WxHxD in mm	Fire display WxHxD in mm	e-MatriX burner	Logs	Carrara pebbles	Acrylic ice
e-MatriX 1050/400 I	30	1128 x 755 x 537	1050 x 400	●	Choice	Choice	Choice
e-MatriX 1050/400 II	30	1190 x 755 x 537	1074 x 400 x 351	●	Choice	Choice	Choice
e-MatriX 1050/400 III	30	1251 x 755 x 537	1097 x 400 x 351	●	Choice	Choice	Choice
e-MatriX 1300/400 I	32	1378 x 755 x 537	1300 x 400	●	Choice	Choice	Choice
e-MatriX 1300/400 II	32	1440 x 755 x 537	1324 x 400 x 351	●	Choice	Choice	Choice
e-MatriX 1300/400 III	32	1501 x 755 x 537	1377 x 400 x 351	●	Choice	Choice	Choice

HEATING	INTERIOR	SOUND	CONTROLLER			LIGHTING	
Heat element	Back wall smooth steel	Sound module	Remote control	Bluetooth remote control	App service	Top Light	Bottom Light
●	●	●	●	●	●	Option	Option
●	●	●	●	●	●	Option	Option
●	●	●	●	●	●	Option	Option
●	●	●	●	●	●	Option	Option
●	●	●	●	●	●	Option	Option

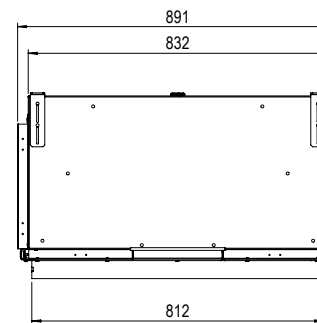
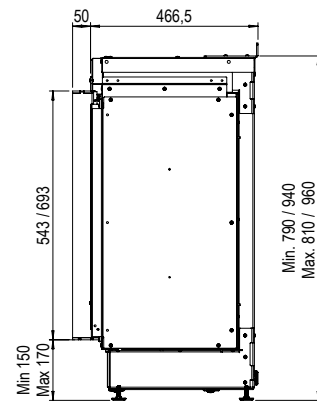
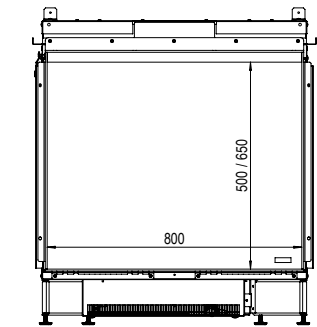
For more information, please take a look at the website: www.faberfires.com

The options per fire produce an additional cost.

Line drawings

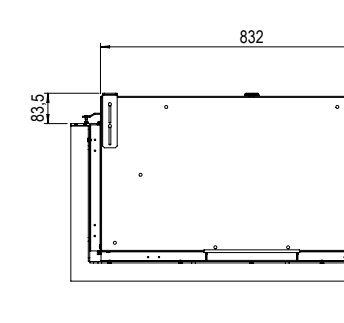
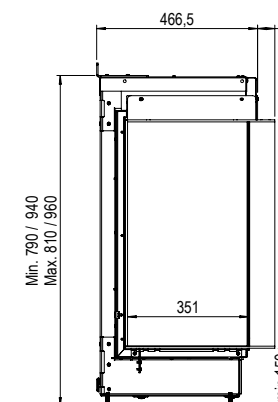
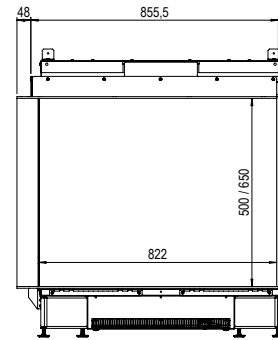
e-Matrix | 800/500 I

Page 14



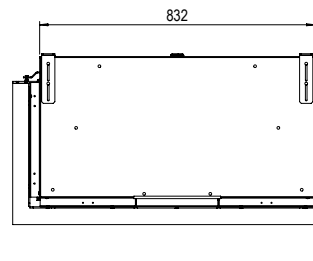
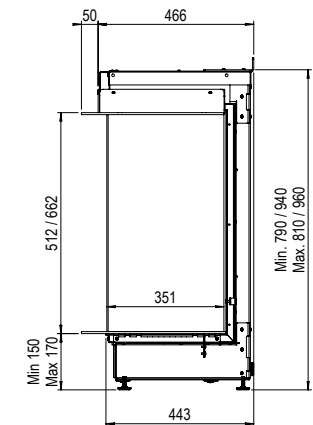
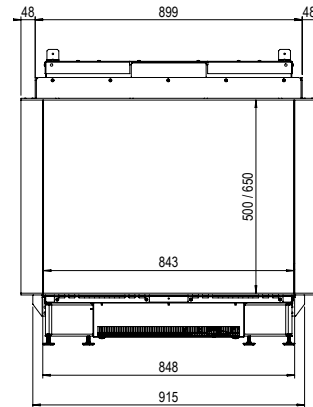
e-Matrix | 800/500 II

Page 16



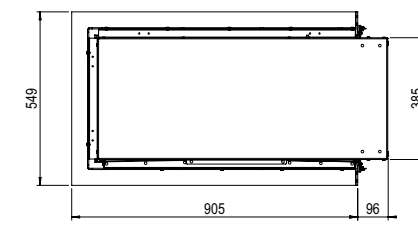
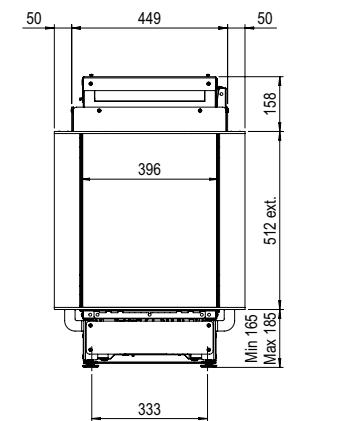
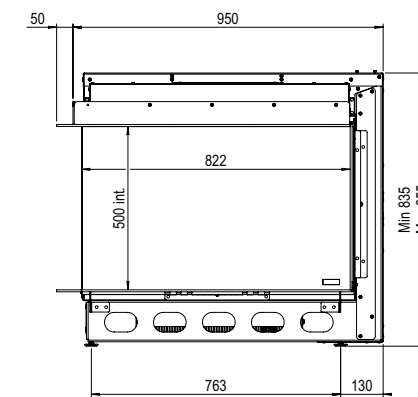
e-Matrix | 800/500 III

Page 18



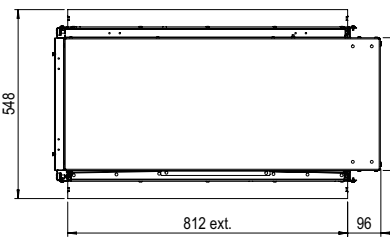
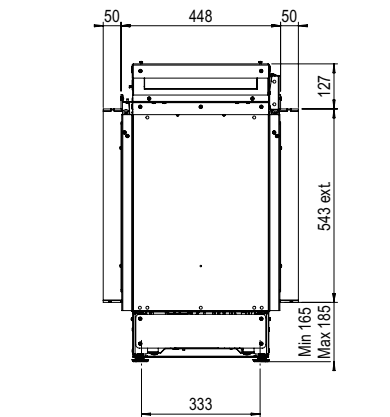
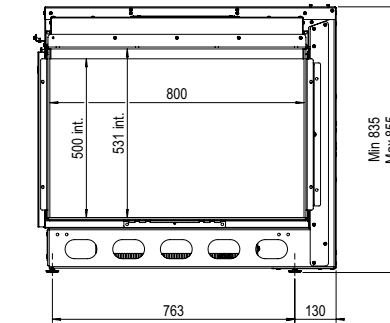
e-Matrix | 800/500 RD

Page 20



e-Matrix | 800/500 ST

Page 22



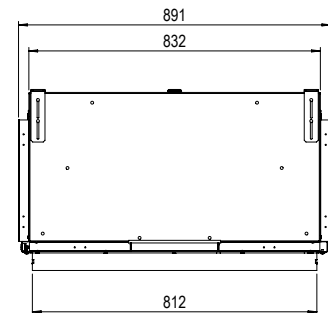
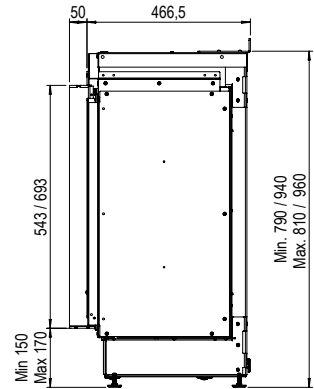
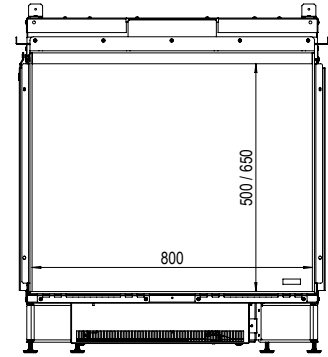
For the e-Matrix series, whilst stocks last, the fire casing may be 32mm lower than noted on the drawings in these brochures. After delivery, check the height of the fire casing to prevent misunderstandings.

The very latest drawings of Faber fires are available on the website www.faberfires.com.

Line drawings

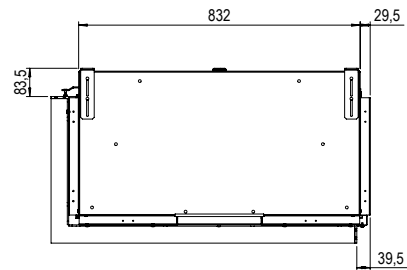
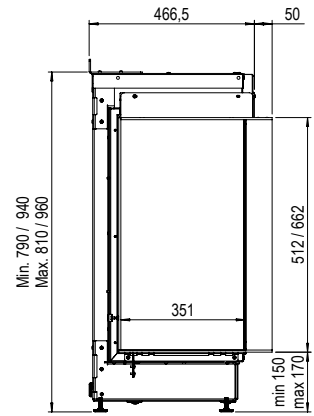
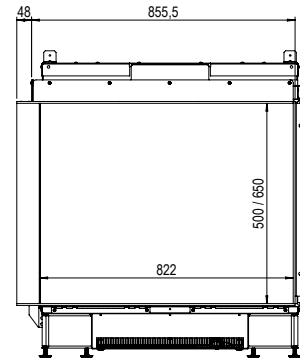
e-Matrix | 800/650 I

Page 24



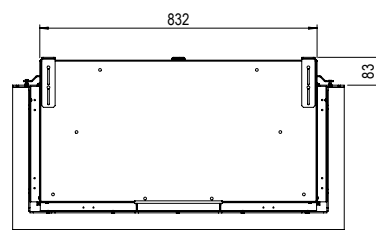
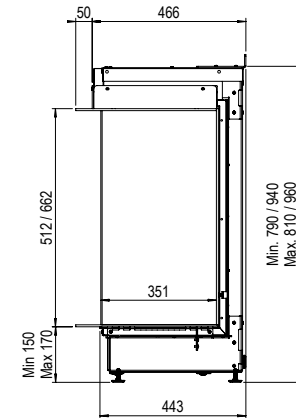
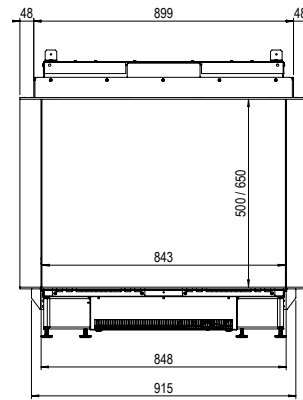
e-Matrix | 800/650 II

Page 26



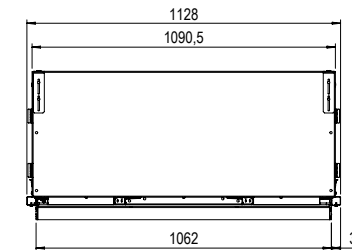
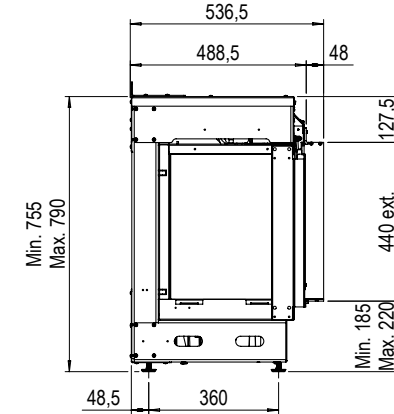
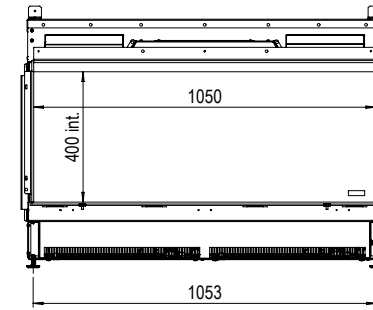
e-Matrix | 800/650 III

Page 28



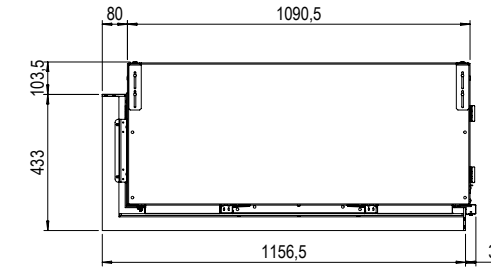
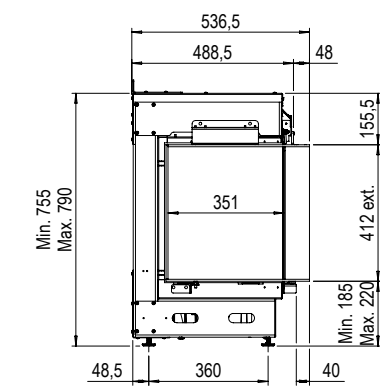
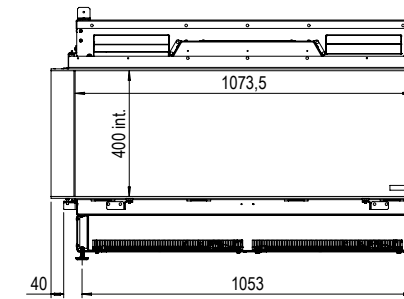
e-Matrix | 1050/400 I

Page 30



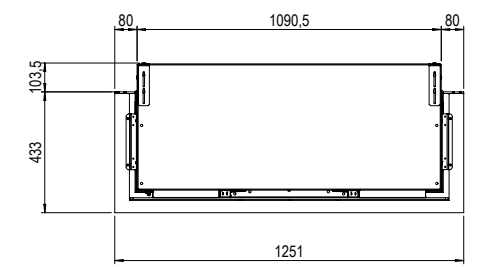
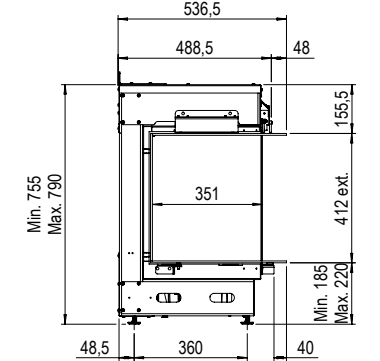
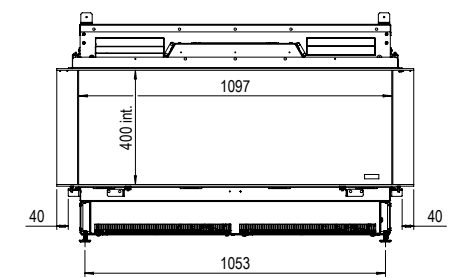
e-Matrix | 1050/400 II

Page 30



e-Matrix | 1050/400 III

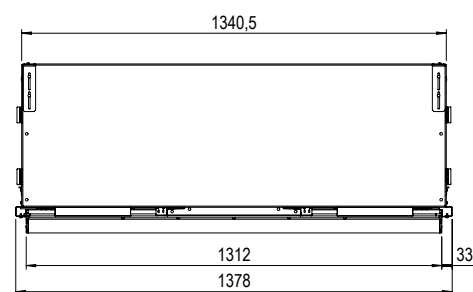
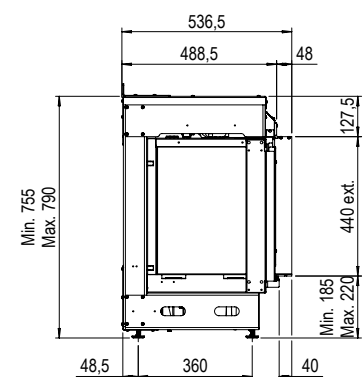
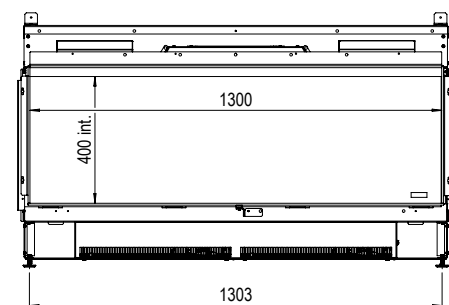
Page 30



Line drawings

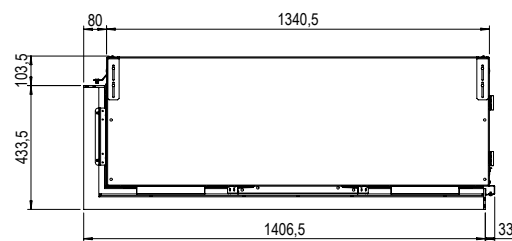
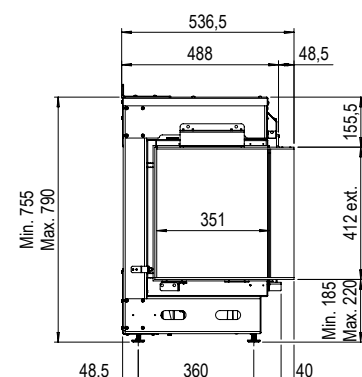
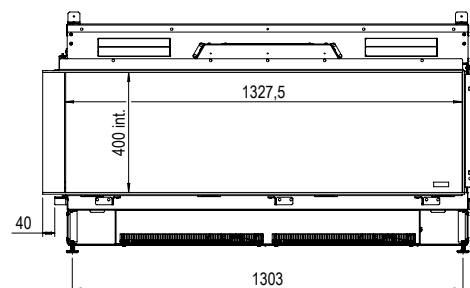
e-Matrix | 1300/400 I

Page 32



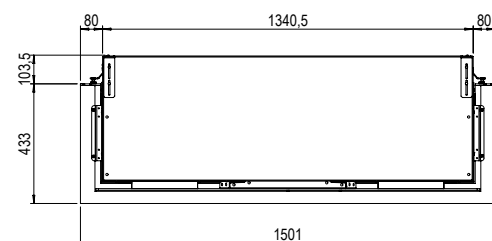
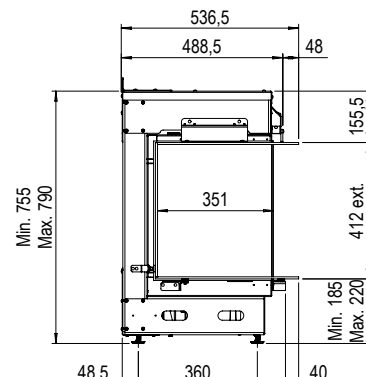
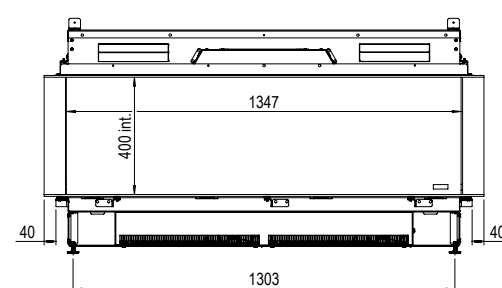
e-Matrix | 1300/400 II

Page 32



e-Matrix | 1300/400 III

Page 32



Draw a dream fire

in your own home

Measurements provide knowledge!

Would you like to know the exact dimensions of our inset fires and stoves? Our dimensions drawings are in this brochure or on our website www.faberfires.com.

You can also find our fires in the design programmes 'SketchUp' or PaletteCad.

Convenient when you want to draw on your own inspiration! <https://www.sketchup.com/> and https://www.palettecad.com/en/home_2

The Faber dealer, who can be found on www.faberfires.com, will help you to realise your design.

Your dealer:

Disclaimer

We have produced this publication with the greatest possible care. However the information, including drawings, in this publication may be represented incorrectly, it may have changed or been supplemented. This publication is subject to change. Glen Dimplex Benelux BV is not responsible for the consequences of actions, decisions or results that are solely based on the information in this publication. We emphasise that the correct installation and safe operation should be in accordance with the applicable rules and regulations, the manual, and the expertise and advice of an expert. The photos in this publication only represent examples of possible configurations. Whilst stocks last. Our terms and conditions of delivery are available upon request.

 **faber**

Saturnus 8, NL-8448 CC Heerenveen
PO Box 219, NL-8440 AE Heerenveen

t +31 513 656 500
e info@faberfires.com

faberfires.com

@faberhaarden



FaberInternational



Proud brand of:


GlenDimplex
FLAME EUROPE