

VICO

free-standing gas fireplace

installation guide and user manual

“Log Burner Technology”

 **faber**

Saturnus 8 NL-8448 CC Heerenveen
Postbus 219 NL-8440 AE Heerenveen
T. +31(0)513 656500
F. +31(0)513 656501



40 010 528
02 28

 **faber**

CONTENTS

1.	INTRODUCTION	2
2.	SAFETY INSTRUCTIONS	3
3.	INSTALLATION REQUIREMENTS	5
	3.1 Flue requirements	6
	3.2 Terminal position	9
4.	INSTALLATION-INSTRUCTIONS	13
	4.1 Preparation of the appliance	13
	4.2 Placing the appliance	15
	4.3 Placing of the wood set	17
5.	INSTALLATION OF THE FLUE	18
	5.1 Connection of the flue	18
	5.2 Remote control	19
	5.3 Installation	20
6.	COMMISIONING	22
	6.1 Check pilot ignition	22
	6.2 Functional burner checkr	22
	6.3 Functional balanced flue check	23
	6.4 Check reference pressure	23
7.	HANDING OVER	24
8.	SERVICING	25
	8.1 Routine annual servicing	25
	USER GUIDE	33
9.	SAFETY INSTRUCTIONS FOR THE USER	34
10.	CONTROLLING THE APPLIANCE	36
11.	CLEANING AND SERVICE INSTRUCTIONS	42
12.	DISPOSAL OF THE PACKAGING AND THE APPLIANCE	43
	INDEX 1 LIST OF SPARE PARTS	30
	INDEX 2 TECHNICAL DATA	31

1. INTRODUCTION

Note: these instructions should be read carefully and retained for future reference.

Please leave these instructions with the user.

Special features:

- Realistic flame and glow effect because of the "Log burner" technology.
- Room sealed room appliance, inlet and outlet are led to the outside using a natural draught concentric pipe system (100 mm/150 mm) (no power fan required). No additional ventilation required.
- Air supply and flue-gases go to outside atmosphere through wall or roof. A maximum horizontal extension of 6 meters is possible.
- Remote Control option on all appliances.
- Meets the essential requirements of the European Gas Appliance Directive (GAD) and carries the CE mark.

2. SAFETY AND GENERAL INFORMATION

Before installation, ensure that the local distribution conditions (identification of the type of gas and pressure) and the adjustment of the appliance are compatible.

This gas appliance is factory set and shall not be adjusted by the installer.

This appliance does not contain any component manufactured from asbestos or any asbestos related products.

The pilot and flame sensing device fitted to this fire is also a safety device. If for any reason any part of the pilot assembly is to be replaced the entire assembly including the pilot burner, thermocouple, electrode and injector must be exchanged complete for a pilot assembly from the original manufacturer only.

Ventilation

This appliance is room-sealed and doesn't require purpose provided ventilation.

2.1 General safety

It is the law in the UK that **all** gas appliances, are installed by a competent person in accordance with the Gas Safety (Installation and Use) Regulations (as amended), the relevant British Standards for Installation work, Building Regulations, Codes of Practice and the manufacturers instructions.

The installation should also be carried out in accordance with the following where relevant:

BS5871 Part1

BS5440 Parts 1 & 2

BS1251.

Building Regulations Document J (as applicable).

3. INSTALLATION REQUIREMENTS

Building Regulations and Standards issued as relevant by the Department of the Environment or the Scottish Development Department.

In the Republic of Ireland installation should be carried out in accordance with IS813, ICP3, IS327, Building Regulations, Codes of Practice, the manufacturers instructions and any other rules in force.

Failure to comply with the above could leave the installer liable to prosecution and invalidate the appliance warranty.

Safety instructions for the user: see chapter 9.

Note:

Since the appliance is a source of heat, circulation of air occurs. Therefore it is of importance that you do not use the appliance shortly after a renovation of the home. Because of the natural circulation of air, moist and volatile components from paint, building materials, carpet etc. will be attracted. These components can settle themselves down onto cold surfaces in the form of soot. As on all heat producing appliances, soft furnishings such as blown vinyl wallpaper placed to near to the appliance may become scorched or discoloured. This should be born in mind when installing the appliance.

Dimensions:

For the dimensions: see figure 1.

Minimum distance between the appliance and rear wall is 50 mm and between appliance and sidewall min. 250 mm.

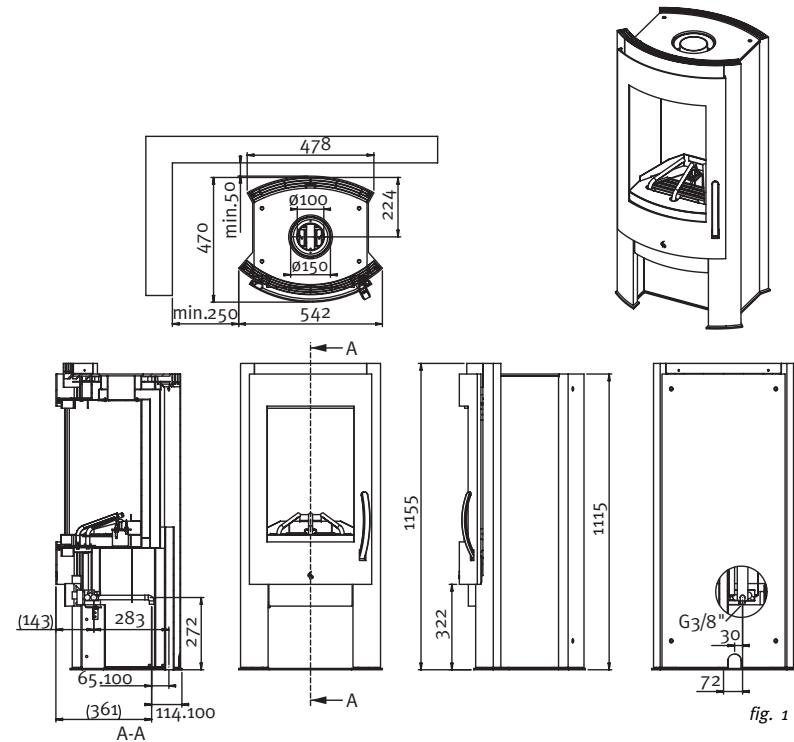


fig. 1

3.1 Flue requirements

The appliance is of the type C11/C31. The appliance will need to be supplied with the approved flue pipes and terminal, it is not possible to supply your own.

The minimum effective height of the flue system must be 0.5 m.

Terminal locations, through the wall as well as through the roof. See figure 3.

Flue routing;

- a horizontal extension with elbows is allowed for a maximum of 6 meter (depending on the type and situation).
- vertical max. 12 meter.

Determine on the base of the table 2 and 3, depending on the type and terminal position, if the desired situation is possible.

To establish this you will need to calculate:

- The effective height (this is the real difference in height between the upper side of the appliance and the terminal).
- The total horizontal extension. This is the total horizontal flue length where:
 - each elbow, which is in the horizontal area, counts for 2 meters.
 - each 45-degree bend, which is in the horizontal area, counts for 1 meter.
 - elbows and bends at the transition of horizontal to vertically are not to be counted.
 - the wall mounted terminal counts for 1 meter.

Flue restrictor

If applicable, in the table is also stated the size of a flue restrictor. This restrictor needs to be fitted in the combustion chamber when placing the appliance (see chapter 4.2). Normally the smallest flue restrictor is fitted.

Example calculation 1:

Calculation horizontal extension fig. 2a:

Flue length C + E = 1 + 1 2 m
 Elbows D = 1 x 2 mtr 2 m
 Total horizontal extension 4 m

Measure or calculate effective height (Hvert)

Flue length A 1 m
 Roof mounted terminal 1 m
 Total effective height 2 m

When calculating on basis of the table:
 Allowed but without flue restrictor.
 Remove the flue restrictor!

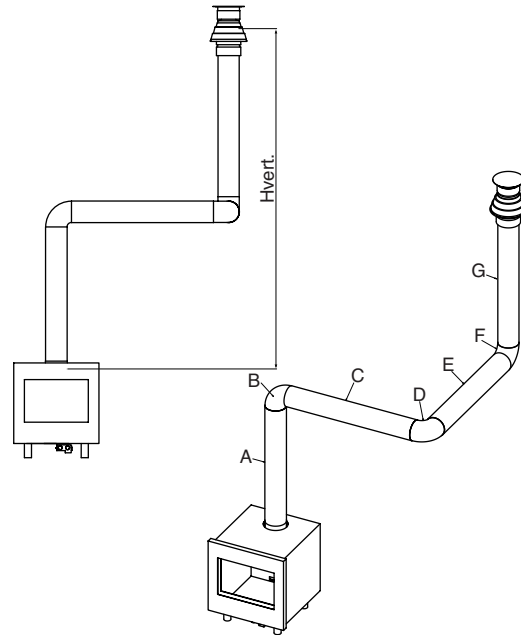


fig. 2a

Example calculation 2:

Calculation horizontal extension fig. 2b:

Flue length J + L = 0,5 + 0,5 1 m
 Elbows K + M = 2 x 2 mtr 4 m
 Terminal 1 m
 Total horizontal extension 6 m

Vertical

Flue length H 1 m

When calculating on basis of the table:
 Combination not allowed.

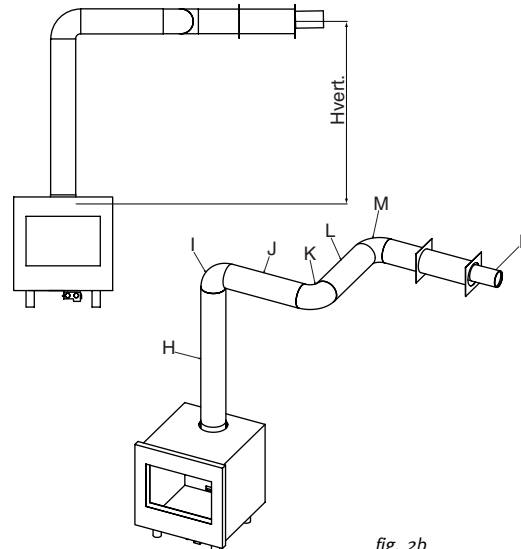


fig. 2b

Effective height	Horizontal extension						
	0	1	2	3	4	5	6
0	X	X	X	X	X	X	X
0,5	X	0	X	X	X	X	X
1	X	30	0	0	0	X	X
1,5	40	30	0	0	0	0	0
2	40	30	0	0	0	0	0
3	40	40	30	0	0	0	0
4	50	40	40	30	0	0	0
5	50	50	40	40	30	30	0
6	50	50	50	40	40	30	0
7	60	50	50	40	40	40	X
8	60	60	50	50	50	X	X
9	60	60	60	50	X	X	X
10	65	60	60	X	X	X	X
11	65	65	X	X	X	X	X
12	65	X	X	X	X	X	X

X combination not allowed
 0 remove flue restrictor
 30 mm flue restrictor
 45 mm flue restrictor
 50 mm flue restrictor
 60 mm flue restrictor
 65 mm flue restrictor

fig. 3

Determine according to the table the right total horizontal- and vertical length. When meeting an X, and when the values are outside the table, the combination is not allowed.

3.2 Terminal position

Verify if the required terminal position meets the local installation regulations regarding disturbance, good functioning and ventilation. (Also see: safety requirements).

Note:

The terminal must be located so that the outlet is not obstructed. If the flue terminal is located within 2 meters of a footway, path or where people could come into contact with it then a suitable terminal guard must be fitted.

Terminals located close to shared walkways, footpaths etc. could be subject to legal constraints and this should be pointed out to the customer before installation. If in any doubt about flue location advice should be sought from local building control, or if appliance-related, from the manufacturer including wherever possible a dimensioned sketch.

3.2 Terminal position (continuing)

Avoid locating the terminal in close proximity to plastic materials such as gutters or other combustibles. If this is unavoidable then a suitable deflector should be made.

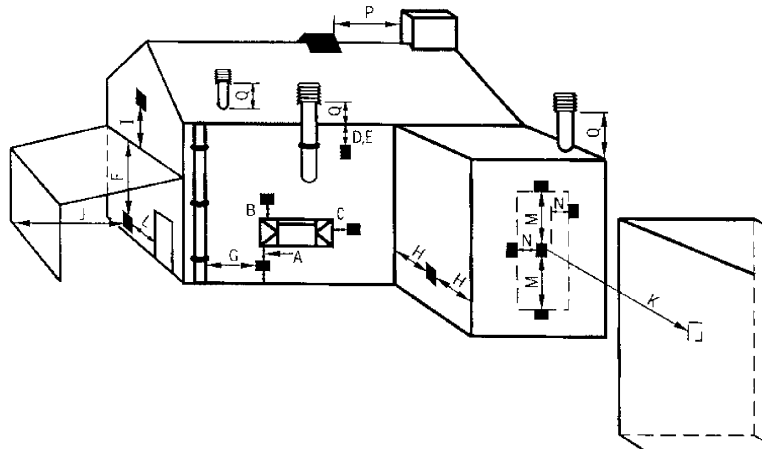
Some important requirements for a good functioning are:

The wall-mounted terminal has to be at a distance of at least 0,5 meters off:

- Corners of the building.
- Below eaves.
- Balcony's etc. unless the duct is dragged to the front side of the overhanging part.

The roof mounted terminal has to be at a distance of at least 0,5 meters of the sides of the roof, excluded the ridge.

Flue terminal positions

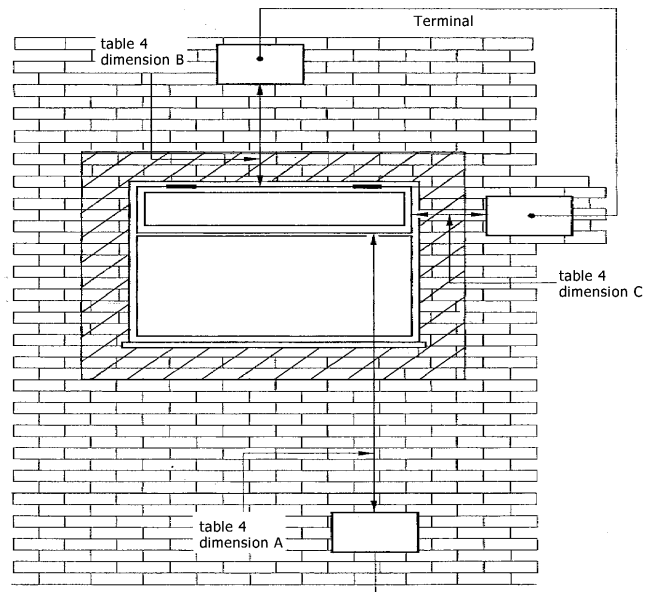


Flue terminal positions

Table 4

Dimension	Terminal position (kW input 0-7 kW expressed in net)	Balanced flue room sealed Natural draught
A	Direct below an opening, airbrick, opening windows, etc.	300 mm
B	Above an opening, airbrick, opening window ect.	300 mm
C	Horizontally to an opening, airbrick, opening window etc.	300 mm
D	Below gutters, soil pipes or drain pipes	500 mm
E	Below eaves	500 mm
F	Below balconies or car port roof	600 mm
G	From a vertical drain pipe or soil pipe	300 mm
H	From an internal or external corner	600 mm
I	Above ground roof or balcony level	300 mm
J	From a surface facing the terminal	600 mm
K	From a terminal facing the terminal	600 mm
L	From an opening in the carport (e.g. window) into the dwelling	1200 mm
M	Vertically from a terminal on the same wall	1500 mm
N	Horizontally from a terminal on the same wall	300 mm
P	From a vertical structure on the roof	600 mm
Q	Above intersection with roof	500 mm

Example of how terminal position is measured



4. INSTRUCTIONS FOR INSTALLATION

4.1 Preparing the appliance

1. Locate the appliance in the right position, min distance 50 mm from rear wall and 250 mm from a side wall.
2. Open the door by first loosening the locking screw in the door handle, then pull down the handle (See fig. 4).

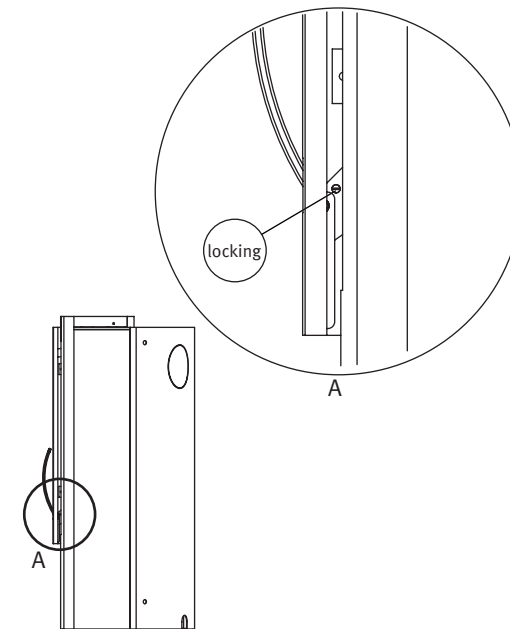


fig. 4

4.1 Preparing the appliance (continuing)

3. Take the box with the log set out of the combustion chamber.
4. Place the right flue restrictor in the combustion chamber. To determine the right flue restrictor, see chapter 3.

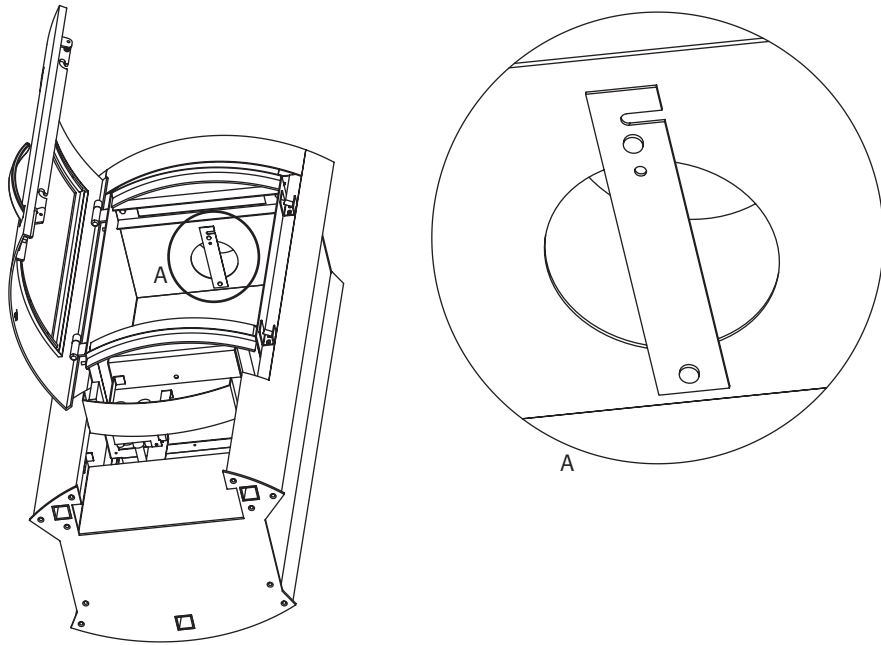


fig. 5

4.2 Placing the appliance**Gas connection**

1. - Installation pipes should be in accordance with BS 6891. Pipe work from the meter to the appliance must be of adequate size.
2. - The complete installation including the meter must be tested for soundness and purged as described in the above code.
3. - A means of isolation must be provide in the supply to facilitate servicing.
4. - If applicable remove the receiver and disconnect the wires from the gas valve
5. - Remove the cover plate (see fig 6). Unfasten the 4 screws on both sides, hold the ash pen tray horizontal while removing the cover plate.
6. - The connection should be made in 8 mm copper or similar semi flexible tube (max. 1 meter). Ensure that the gas pipe does not interfere with the removal or replacement of the burner tray of the controls.
7. - The gas connection is nut and olive suitable for 8 mm pipe.

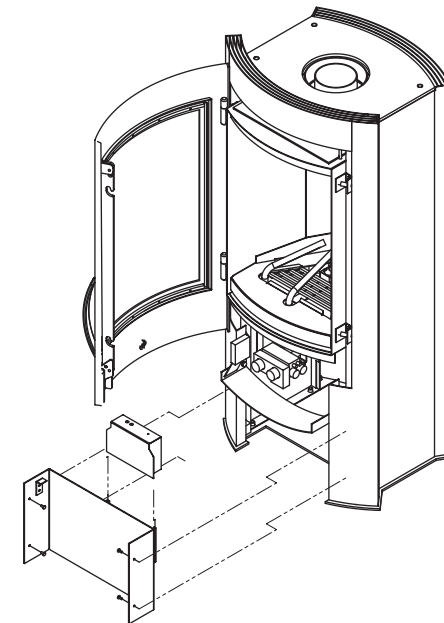
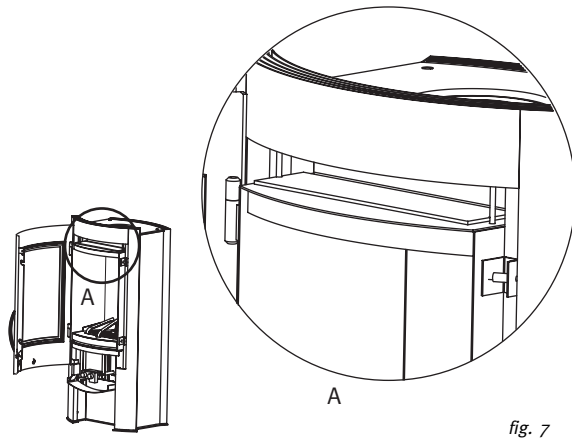


fig. 6

4.2 Placing the appliance (continuing)

2. Points of attention for placement:
 - Locate the appliance before assembling the flue.
 - Painted flue pipes available.
 - see also chapter 5 Flue installation
3. Check if the safety hatch on top of the combustion chamber is in the right position and seals the combustion chamber properly (it has to be air tight.)



4. Place the log set (see placing log set, chapter 4.4).
5. Spread, the bags of embers (imitation ashes) provide with the appliance over the burner tray. **Attention!** No embers under the logs the logs have to rest on the burner tray!
6. Close the door and fixate the position of the handle by placing back the screw in the door handle.

4.3 Placing the log set

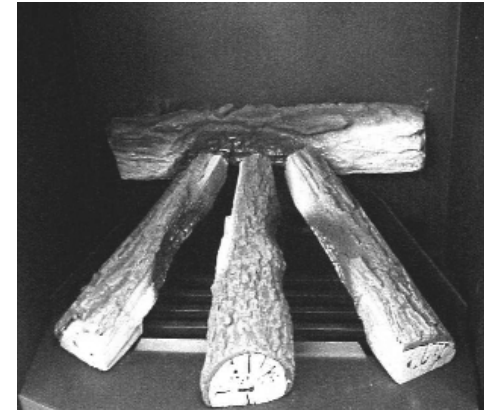


fig. 8

On the bottom of the logs is a identification:

- 1 dimple first log left placed over the burner and resting on the burner tray.
- 2 dimples placed in the middle over the burner and resting on the burner tray.
- 3 dimples the right side log placed over the burner and resting on the burner tray.

Never place extra elements of any kind into the combustion chamber. To guarantee good combustion, the log set may only be installed in the way specified by Faber International. Any other arrangement can lead to soot on logs or window. Do not use the fire with broken or missing logs.

5. INSTALLATION OF THE FLUE

5.1 Connections with use of concentric duct material

- There are painted flue sections available for the flue run in the room.
- Build the system starting from the appliance on.
- Make a hole of \varnothing 153 mm for the wall or roof mounted terminal.
- Make sure you place the pipes in the right direction, the narrow end towards the appliance.
- Make sure the pipes are fixed sufficiently, a wall clamp every 2m, so the weight of the pipes is not resting onto the appliance.
- The outside of the pipe can become hot (140 degrees). Stay 50 mm away from wall surface or sealing. Make sure to provide sufficiently heat resistant isolation when going through the wall or roof.
- Because of expansion or cooling down the concentric pipes can turn loose. It is recommended to fix the spring clip with a self tapping screw at inaccessible places.
- To get the exact measure flue length you can use cut down-concentric pipe, wall mounted terminal or roof mounted terminal. To obtain a smoke sealed connection, the inner pipe must be 20 mm longer than the outside pipe.
- The horizontal pipes need to rise away from the appliance at a rate of 3 degrees per metre.

5.2 Remote control (if applicable)

The remote control is only meant to regulate the flames, it functions only when the pilot burner is ignited. It is therefore not possible to ignite the appliance with the remote control or to shut-off the pilot-flame.

The radio-frequency remote control is intended for fireplaces installed in a domestic setting in all EU countries except Austria, Denmark, Finland and Greece.

Features:

- Manual control will always remain possible.
- The remote control is a radio frequency type and has been approved internationally.
- The remote control generates a unique safety code every time you activate the transmitter, its similar to those used in a car.
- The remote control is easy to install retrospectively.

5.3 Installation remote control

1. Connect the mains adapter to the receiver box. The adapter is set to the correct voltage in the factory 4.5V.

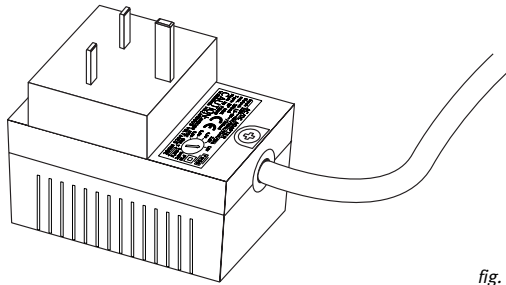


fig. 9

2. Slide the receiver box into the holder.
3. Connect the wires to the gas valve (see fig. 10).

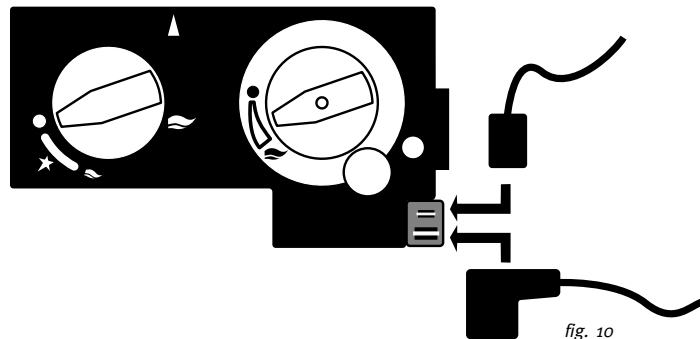


fig. 10

4. Set the on/off switch on the receiver to "on".

Setting the right transmission code

The receiver has to learn the code from the transmitter, which is already done at the factory. However the code disappears if the receiver is disconnected from the mains for a longer period.

1. Set the on/off switch on the receiver to "on".
2. Push the "mod" button on the receiver and hold it for 3 seconds.
3. The green control lamp will light up and stay on. Repeat this step if it doesn't.
4. Push a button on the remote control. The control lamp on the receiver should now go out.
5. Again push a button on the remote control. The lamp starts flashing and will switch off eventually.
6. The receiver now recognizes the remote control. The remote control now functions.
7. Check if you can hear a sound and the motor runs when you push a button on the remote control.

6. COMMISSIONING (functional checks)

6.1. Check pilot ignition

1. Push in and turn the control knob (A) from ● anticlockwise to the setting 🔥 (small flame). You will hear a tick meaning there is ignition. Hold the knob in and wait for a few seconds while the air is purged.
2. Bring the knob back in the start position and turn the knob several times to the 🔥 position. Check that the pilot has lit.
3. Continue to hold in the control knob for a further ten seconds to ensure that the pilot flame is stable.
4. Release the knob. The pilot should remain alight.

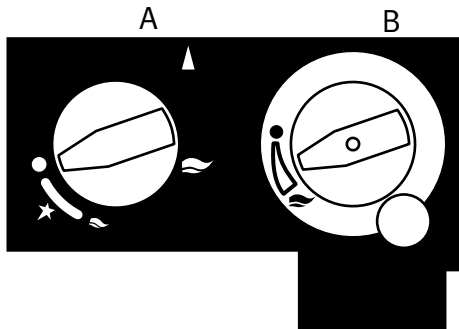


fig. 11

6.2 Functional burner check

1. Turn knob (B) to max. clockwise.
2. Turn the knob (A) more anticlockwise to the 🔥 position (large flame). Now it is possible to light the main burner.
3. Turn knob B anticlockwise to max. The main burner should light. Check for gas soundness at all joints with leak detection fluid!
4. Check the ignition of the main burner on low and high setting.
5. Turn knob B clockwise till ●. The main burner is off.
6. Turn the knob A to ●. The pilot should go out.

6.3 Functional balanced flue check

1. Set the appliance on max. input.
2. Verify the flame picture, this means no flames against the window, the flame have to come besides the logs, if not check the log layout.
3. Check if the flames are yellow after 10 minutes of operation. If you still have a blue flame or the appliance goes out check:
 - If the flue pipes are fitted correctly (no leakage).
 - If the wall mounted terminal is placed with the correct side up.
 - If the correct flue restrictor is installed.

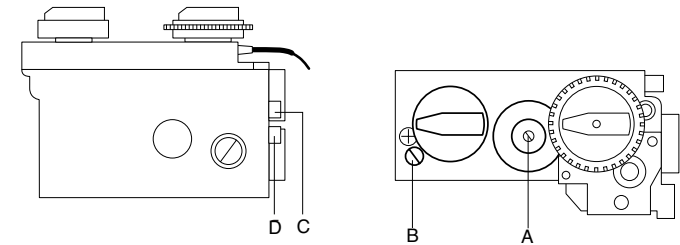


fig. 12

6.4 Check reference pressure

The appliance is preset to give the correct heat input.

No further adjustment is necessary. Fit a pressure gauge at the test point D to check the burner pressure.

The pressure should be checked with the appliance alight and at max input.

The **cold** setting pressure should be as shown at the technical data page 31.

After checking the pressure, turn off the appliance. Remove the pressure gauge and close the sealing screw. Re-light the appliance. Turn to max. input and test around the test point D for gas soundness using a suitable leak detection fluid.

7. HANDING OVER

(final check and customer briefing)

- 7.1 Instruct the customer on the full operation of the appliance.
- 7.2.1 Advise the customer how to clean the appliance including the glass.
- 7.2.2 Instruct the customer on the operation of the remote control, including replacement of batteries and how to set the right transmissions code.
- 7.2.3 Hand over these instructions including the user guide to the consumer.
- 7.2.4 Recommend that the appliance should be serviced by a competent person at least once a year.

8. SERVICING

To ensure safe, efficient operation of the appliance, it is necessary to carry out routine servicing at regular intervals.

It is recommended, that the fire is inspected/serviced by a competent person at least once a year.

Important

Turn off the gas supply before commencing any servicing. Always test for gas soundness after refitting the appliance.

8.1 Routine annual servicing

1. Clean (if necessary):
 - the pilot system;
 - the burner;
 - the combustion chamber;
 - the glass.
2. Check the log lay and replace the embers (if applicable).
3. Do the functional test as described at page 22.
4. Check the flue system and terminal on damage and soundness (visual inspection).

8.1.1 Cleaning the glass

Depending on the intensity of use , you can get a deposit on the glass. This can be removed with a special ceramic glass cleaner (ceramic cook-top cleaner) as follows:

1. Open the door as described at 4.1.
2. Clean the glass. Handle the glass with clean hands, wear gloves, if possible try to avoid fingerprints on the glass.
3. Close the door and fixate the door handle.

Attention: Before closing the door : check the sealing rope is in good condition. Be sure that there are no fingerprints on the glass. It is not possible to remove those prints after you burn the appliance for a while (they are burnt in).

8.1.2 Cleaning the combustion chamber

Remove the logs before cleaning.
Clean the combustion chamber with a vacuum cleaner.
If the burner is visibly damaged, replace the burner.

8.2. Burner tray assembly

1. Open the door and remove remote control, log set, grid and burner tray cover.
2. Remove the cover plate (see fig 6). Unfasten the 4 screws on both sides, hold the ash pen tray horizontal while removing the cover plate.
3. Break the gas supply at the 8mm connection inside the appliance.
4. Unscrew the burner assembly and take them out of the combustion chamber.

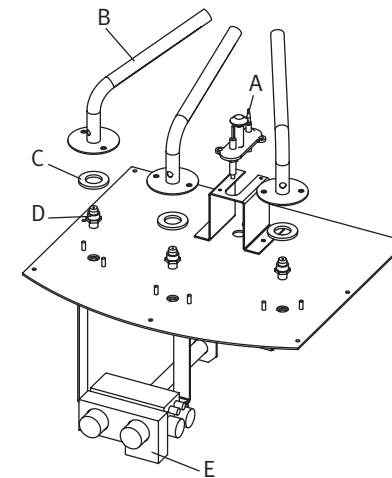


fig. 13

- A. Pilot assembly
- B. Burner
- C. Fixation plate
- D. Injector
- E. Gas control

Gas control block

- A Governor
- B Adjusting screw pilot flame
- C Inlet pressure test point
- D Burner pressure test point

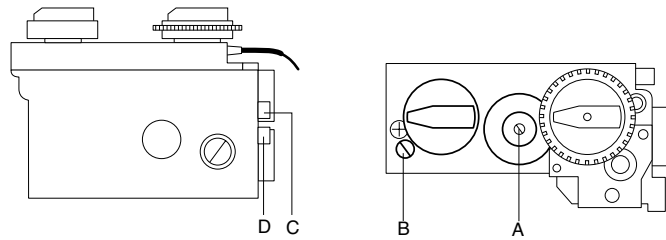


fig. 14

Propane conversion

For conversion from propane to natural gas, order for a propane burner unit.
Please give the serial number from the data plate when you order.

8.3 Combustion test

A BS7967 combustion analysis check should be carried out using an analyser to BS7927 positioned in the flue outlet.

A Ratio of CO/CO₂ should be less than 0.01 within 30 minutes.
(100ppm CO per 1% CO₂).

A reading of CO in the room centre should give a rise of less than 9ppm over ambient, peak reading.

LIST OF SPARE PARTS

	VICO
Description	Company part
Glass	04508600
Burner NG	20523305
Burner propane	20523335
Log set	20786120
Receiver	20604000
Remote control	20603900
Adapter	20900142
Motor (remote control)	37003086
Gas control NG	37003089
Spark wire	06017300
Spark electrode	06006600
Pilot burner assembly NG	20900145
Thermocouple	37002033
Pilot burner assembly propane	20900154
Embers	20900019
Lack-spray for combustion chamber	09000008
Lack-spray other parts	09000012

TECHNICAL DATA

VICO

Country	UK/IRL	UK/IRL	
Category	II2H3+	II2H3+	
Appliance type	C11 / C31	C11 / C31	
Reference gas	G20	G30/G3	
Input (nett) kW	7,1	6,9	
Efficiency class	2	2	
Inlet pressure	mbar	20	30/37
Gas Rate 15 °C / 1013 mbar	m3/h	0.75	0.215 or 0.5 kg
Reference burner pressure	mbar	12	23
Injector size	mm	3x 1.5	3x 0.9
Reduced input restrictor	mm	2.1	1.1
Pilot assembly			
Type	SIT 160	SIT 160	
Code	Nr 51	Nr 30	
Flue system			
MV size		100-150 mm	100-150 mm
Pre installed flue restrictor	mm	30	30
Gas control		GV36-C5AOEHC68M	GV36-C5AODHC68M
Remote control			
Adapter		230VAC/50HZ/5VA	230VAC/50HZ/5VA
Voltage adapter	V	4-5	4-5
Batteries remote control		2 x LR03 Alkaline long life	2 x LR03 Alkaline long life
Gas connection		8 mm nut and olive	8 mm nut and olive
Dimensions: see figure 1			

USER GUIDE

9. SAFETY INSTRUCTIONS FOR THE USER

9.1 General safety instructions

If a gas leak is found or suspected, turn off the gas supply at the meter and contact your installer or gas emergency service.

These instructions should be read carefully and retained for future reference.

Do not use the fire with a broken or damaged glass.

The fire has a safety device which turns off the gas supply if there is a build up from flue gasses in the combustion room or a temporary gas cut-off. **Wait at least 5 minutes before turning the appliance on again.** Contact a qualified installer when the appliance goes off regularly.

The appliance has been designed for heating purposes. This means that all surfaces, including the glass, can become very warm (over 100 degrees). An exception to this is the lower side of the door and the control buttons.

Due to the newness of materials, they may give off a slight smell for a period after initial lighting. This is normal, odours will disperse after a few hours use.

Do not place curtains, clothing, laundry, furniture or other flammable materials nearby the appliance. The required minimum distance is 100 cm.

Switch off the receiver of the remote control if you don't use the fire for a long time. Do not let children use the remote control without supervision.

IMPORTANT

A suitable Fireguard conforming to BS6539 and BS6778 should be used with this appliance to protect children, the elderly or infirm. Care should also be taken with pets.

In your own interest and that of safety, all gas appliances must be installed by competent persons. Installation must be in accordance with National Regulations. CORGI registered installers are required to work to recognised standards.

Note:

Since the appliance is a source of heat, circulation of air occurs. Therefore it is of importance that you do not use the appliance shortly after a renovation of the home. Because of the natural circulation of air, moist and volatile components from paint, building materials, carpet etc. will be attracted. These components can settle themselves down onto cold surfaces in the form of soot. As on all heat producing appliances, soft furnishings such as blown vinyl wallpaper placed too near to the appliance may become scorched or discoloured. This should be born in mind when installing the appliance.

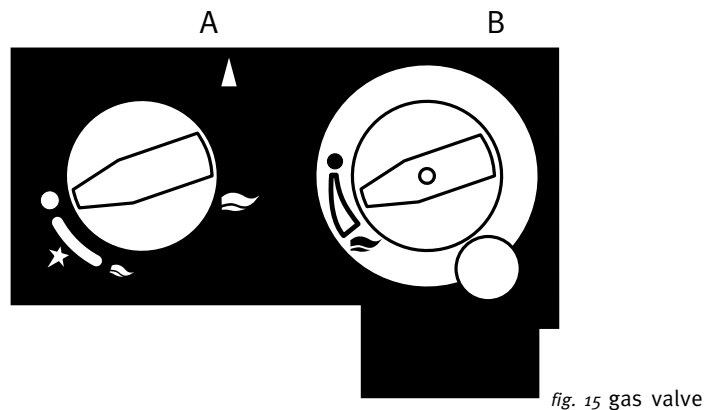
10. CONTROLLING THE APPLIANCE

10.1 Lighting the fire

If the main burner or pilot light are extinguished for any reason, **do not attempt to relight the pilot within 5 minutes**. Contact a qualified installer when the appliance goes off regularly.

The gas valve is behind the ashtray door, open by pulling down.

With control button A you can light the pilot. With the control button B you can adjust the height of the flames (see fig. 15).



Knob A

The ● is the OFF position preventing any gas from passing through the control valve to either the pilot burner or to the main burner. By pressing the knob in it is possible to turn it anticlockwise. The first function is to turn on the gas to the pilot- this occurs just before reaching the ★ position (if the fire has not been lit for some time it may be necessary to hold the knob in this position for some seconds to clear the air from the pipe and allow gas to reach the pilot burner).

Once gas is available at the pilot, continued rotation anti-clockwise will cause the piezo igniter to spark. This is accompanied by a click at the valve and should result in the pilot burner igniting.

Once the pilot is lit, the control knob should be held pressed in for 10 seconds. In this time the pilot flame will have heated the flame supervision thermocouple sufficiently to operate a hold-on magnet within the valve.

Now turn the control knob A to the 🔥 position. This allows gas to enter control knob B.

Knob B

The ● is the OFF position preventing gas entering the main burner if the pilot is lit.

The knob should be turned slowly anticlockwise. This allows gas to enter the burner and be ignited by the pilot flame. Once ignition has taken place, the fire may be set to any level between min. and max. by adjusting the control knob B.

10.2 To light

1. Push in and turn the control knob (A) from ● anticlockwise to the setting 🔥 (small flame). You will hear an ignition click. Check that the pilot is lit (if not repeat).
2. Continue to hold in the control knob for a further ten seconds to ensure that the pilot flame is stable.
3. Release the knob. The pilot should remain alight.
4. Turn the control knob A to the 🔥 position.
5. Turn knob B slowly anticlockwise, the fire should then ignite.
6. Adjust flames to the required level.

10.3 To extinguish

1. For the main burner turn the control knob B clockwise to position ●.
2. To disable knob B turn knob A to the 🔥 position.
3. To extinguish the pilot turn control knob A to position ●, although it is in order to leave the pilot permanently lit.

10.3.1 When the pilot extinguishes

Warning! When the pilot extinguishes, for whatever reason, you should wait at least 5 minutes before trying to turn it on again.

Possible causes of pilot extinguish are:

- Operating error.
- Interference of the safety device.
- Failure in the pilot flame system.

Contact a qualified installer when the appliance goes off regularly.

10.4 Remote control

The remote control is only meant to regulate the flames from off till max., it functions only when the pilot burner is ignited and knob A in 🔥 (big flame) position. It is therefore not possible to ignite the pilot flame with the remote control or to extinguish the pilot flame. The radio-frequency remote control is intended for fireplaces installed in a domestic setting in all EU countries except Austria, Denmark, Finland and Greece.

Features:

- Manual control will always remain possible.
- The remote control is a radio frequency type and had been approved internationally.
- The remote control generates a unique safety code every time you activate the transmitter, its similar to those used in a car.
- The remote control is easy to install retrospectively.

10.4.1 To light

fig. 16

remote control

1. Push in and turn the control knob (A) from ● anticlockwise to the setting 🔥 (small flame). You will hear a ignition click. Check that the pilot is lit (if not repeat).
2. Continue to hold in the control knob for a further ten seconds to ensure that the pilot flame is stable.
3. Release the knob. The pilot should remain alight.
4. Turn the control knob A to the 🔥 position.
5. Set the on/off switch on the receiver to "on".
 - ↳ low flame
 - ↳↳ high flame
6. Use ↳↳ (high) and ↳ (low) to achieve the desired heating and flame effect.
7. You will hear a beep every time the receiver recognises a good signal. (If not, so see 10.4.3, setting the right transmission code).
8. When the fire is not be used for a prolonged period, turn off the pilot (see 10.4.2).

10.4.2 To extinguish

1. Push ↳ (low) till the burner goes out and you can hear the motor clicking.
2. To enable the remote control turn knob A to the 🔥 position.
3. To extinguish the pilot turn control knob A to position ●, although it is in order to leave the pilot permanently lit.

10.4.3 Setting the right transmission code

The receiver has to learn the code from the transmitter, which is already done at the factory. However the code disappears if the receiver is disconnected from the mains for a longer period,

1. Set the on/off switch on the receiver to "on".
2. Push the "mod" button on the receiver and hold it for 3 seconds.
3. The green control lamp will light up and stay on. Repeat this step if it doesn't..
4. Push a button on the remote control. The control lamp on the receiver should now go out.
5. Again push a button on the remote control. The lamp starts flashing and will switch off eventually.
6. The receiver now recognizes the remote control. The remote control now functions.
7. Check if you can hear a sound and the motor runs when you push a button on the remote control.

10.4.4 Changing the batteries

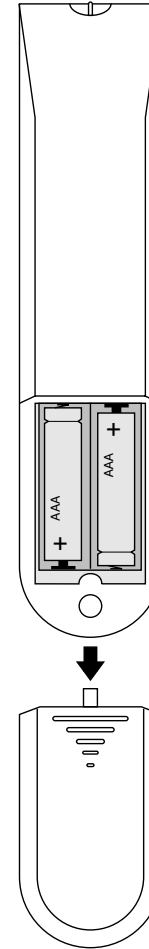


fig. 17
changing batteries

There is no risk of electric shock as the low voltage supply is similar to that used in torches. Always turn off the appliance before changing batteries.

Remote control

1. Remove the cover on the back of the remote control.
2. Carefully remove the battery clip along the side. Pay attention not to pull the wires.
3. If necessary, remove the old batteries and place the new ones: 2 x LR03 Alkaline long life 1.5 V.
4. Click the battery clip into the remote control and close the cover.
5. It might be possible that you have to set the transmission code after changing the batteries (see 10.4.3).

Note

Batteries are chemical waste and should be disposed in accordance with local regulations.

11. CLEANING AND SERVICE INSTRUCTIONS

Important:

Turn off the fire and allow it to cool down before commencing cleaning.

It is recommended that the fire is inspected/serviced, by a competent person at least once a year.

To maintain the finish on the trim wipe with soft damp cloth only. Do not use abrasive cleaners, polish or solvents as these can damage the surface finish.

12. DISPOSAL OF THE PACKAGING AND THE APPLIANCE

The appliance packaging is recyclable. The packaging could include the following materials:

- cardboard;
- CFC-free foam (soft);
- wood;
- plastic;
- paper.

These materials should be disposed responsibly and in conformity with government regulations.

Batteries are considered chemical waste. The batteries should be disposed of responsibly and in conformity with government regulations. Remove the batteries before disposing of the remote control.

Information on how to responsibly dispose of discarded appliances can be obtained from the local authorities.

