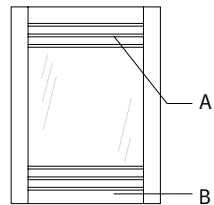


SUPPLEMENT WITH DIMENSIONS AND THE INSTALLATION OF NARVIK.

FOR FURTHER INFORMATION SEE VARDA.

DESCRIPTION OF THE STOVE

- A: Hot air outlet grille
B: Ashpan flap, controls cover

fig. 1 Narvik

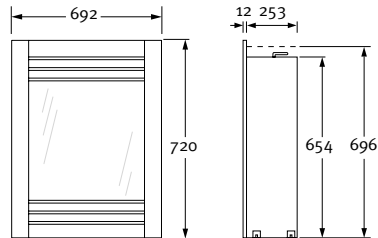
DIMENSIONS

fig. 2 Narvik

INSTALLATION INSTRUCTIONS (only applies to Narvik)

Have the stove installed by a qualified installer in conformance with national and local (fire safety) regulations. Be sure that the chimney functions properly.

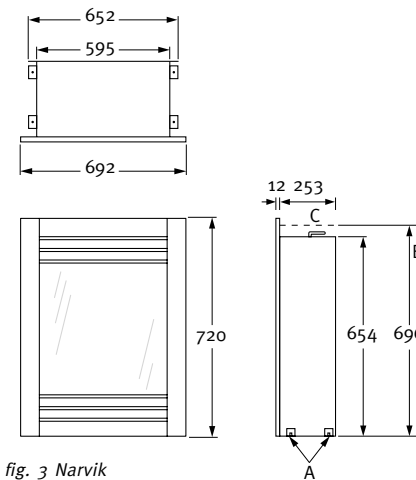
INSTALLATION SPACE

fig. 3 Narvik

- A: Set of screws 10 mm, adjustable
B: Minimum built-in height
C: Connection cable

LOCATION AND MINIMUM FREE SPACE

Consult the installation instructions for the installation of the stove.

The Varda and Narvik are supplied with two brackets on both sides at the bottom. Remove the 'M8' screw A from the rear bracket B. Remove the right-hand screw of the 2 sheet-metal screws. Adjust the height of the bracket using the other sheet-metal screw in the slotted hole C. You can use the front brackets D to adjust the whole stove more precisely by turning the M8 screw E.

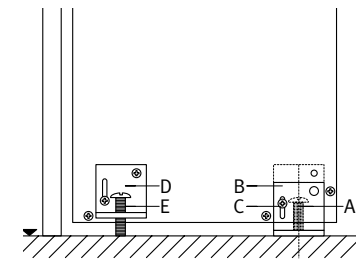


fig. 4 Narvik